

Counter-Top, Gravity, Combination Soft Serve/Yogurt, Shake Freezer

F144/SF144



F144



- High production capacity with 12,000 BTU/hr compressor and two 3/4 hp drive motors.
- Two independent IntelliTec™ controls ensure peak efficiency and uniform product consistency.
- Self-sharpening, nonmetallic auger flights for reliable service.
- Product consistency is that of a very thick shake.
- Heavy-duty blender for shakes or mix-ins (standard with SF144, option for F144; field or factory installed).
- Allows the operator to dispense outstanding soft serve from the left side, and thick creamy shakes on the right side, with the convenience and cost of one unit.
- The F144 is the ideal choice for restaurants, drive-ins, recreational facilities, ice cream parlors, schools, and cafeterias.
- Durable stainless steel exterior.
- Optional floor stand, heavy duty blender (F144), side mounted blender, flavor dispenser.

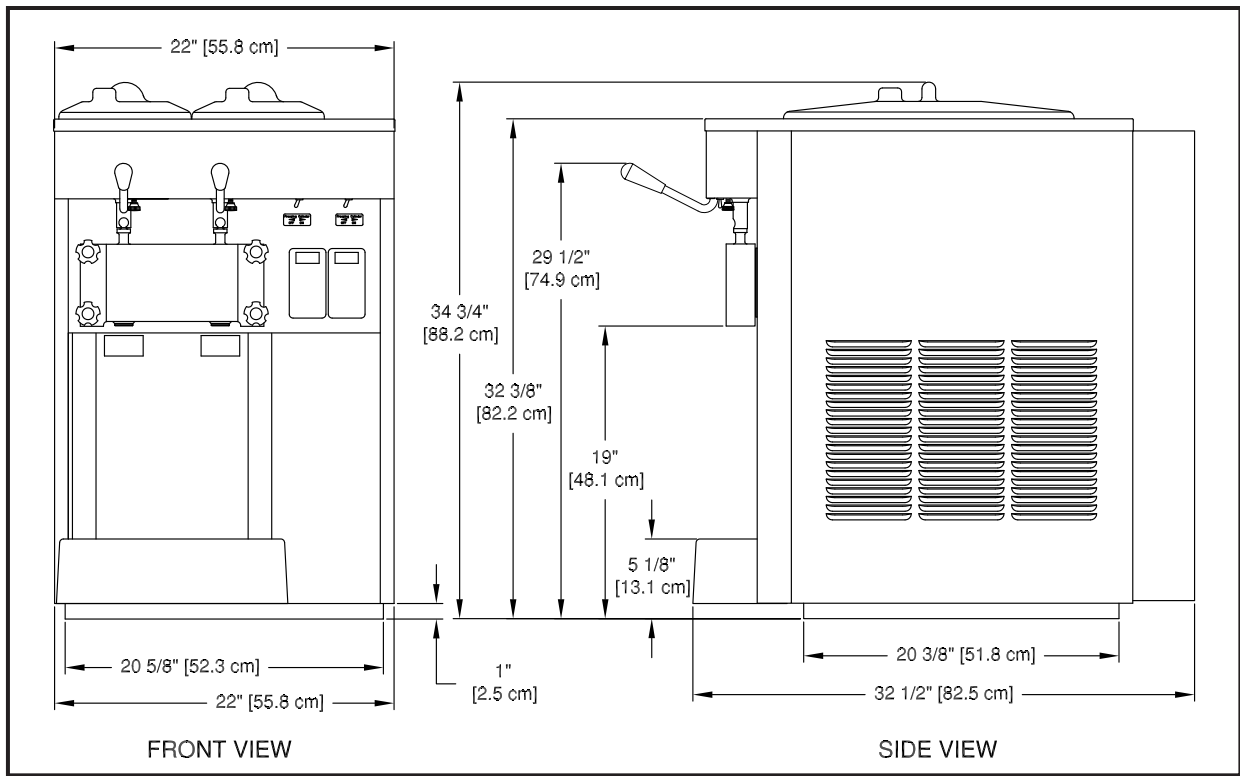


SF144



F144 with Floor Stand





Model F144 / SF144		
Dimensions	Machine	with crate
width	22" (55,9 cm)	28" (71,1 cm)
height	34-3/4" (88,3 cm)	40-1/4" (102,2 cm)
depth	28-1/2" (72,4 cm)	35-1/4" (89,5 cm)
Weight	385 lbs (174,6 kg)	470 lbs (213,1 kg)
* Electrical	1 Phase, 208-240 VAC, 60Hz	
running amps	11A	
connection type	NEMA6-20P power cord provided	
International Option	1 Phase, 220-240 VAC, 50Hz	
Compressor	12,000 Btu/hr	
Drive Motor	Two - 3/4 hp	
Air Flow	Air cooled units require 3" (7,6 cm) air space on both sides	
Plumbing Fittings	Water cooled units require 3/8" N.P.T. water and drain fittings.	
Hopper Volume	Two - 3 gallon (11,35 liters)	
Freezing Cylinder Volume	Two - 0.85 gallon (3,22 liters)	

Continuous research leads to ongoing product improvements; therefore, these specifications are subject to change without notice and should not be used as installation specifications.

* Machine requires a dedicated electrical circuit.

Distributed by:



502 Highway 67 • Kiel, WI 53042-1600
 920-894-2293 • 800-558-5807
 Fax: 920-894-7029
 E-mail: foodservice@stoelting.com
 www.stoeltingfoodservice.com

ISO 9001:2008 Registered

Certified, Listed and/or Recognized by:



STMF-133 04/12